

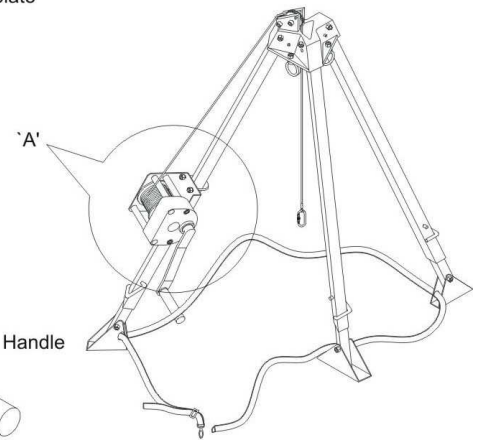
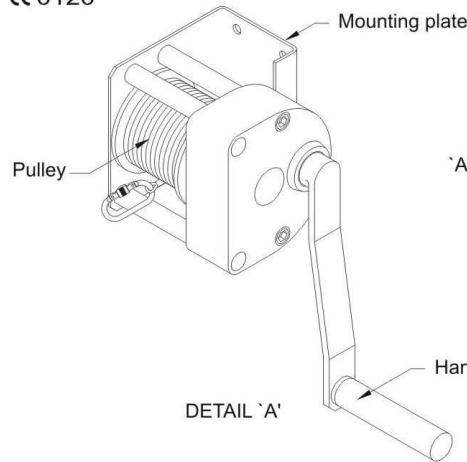


WINCH FOR TRIPOD Ref. 71714

TECHNICAL SHEET



CE 0120



Gencode :

3435241 717146

GENERAL DESCRIPTION AND MATERIALS

- Galvanised steel body and handle
- ABS moulded cover
- Galvanised steel cable
- Cable diameter: 5.0mm
- Cable length: 20m
- Mounting plate with 4 bolts adapted to the tripod 71710
- Weight : 7.5 kg (+/-10%)
- Static strength : 12.5KN

SPECIFIC ADVANTAGES

- Delivered with 1 connectors 71110
- Delivered with bolts and ALLEN key as required to fix the winch

MAIN APPLICATION FIELDS

- Material or man lifting rescue winch
- NOT TO BE USED FOR FALL ARREST
- Construction and civil engineering
- Dynamic strength: mass of 125Kg maximum

PACKAGING

- Individual packing
- Carton of 1 winch